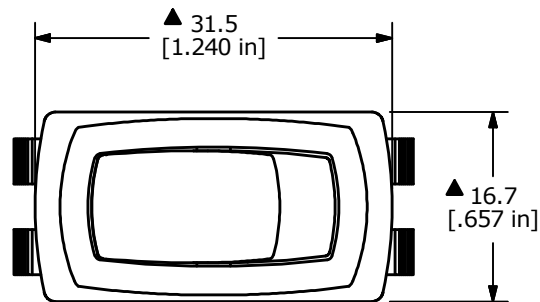


PANEL CUT-OUT

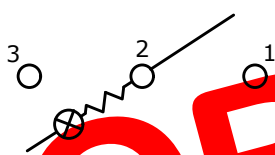


SWITCH FUNCTION	
POS. 1	POS. 2
OFF	ON
NONE	1-2

▲ ACTUATOR COLOR:
ILLUMINATED GREEN

▲ HOUSING COLOR:
BLACK

CIRCUIT: SPST
OFF - ON



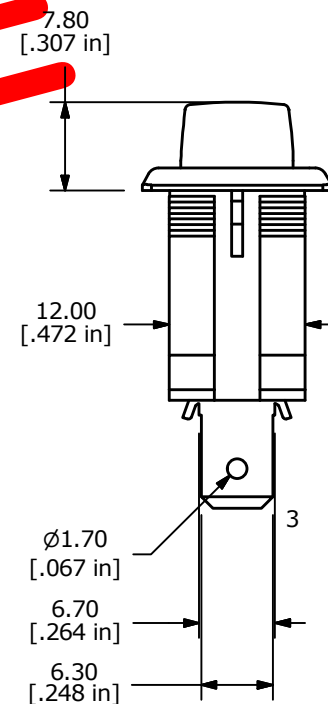
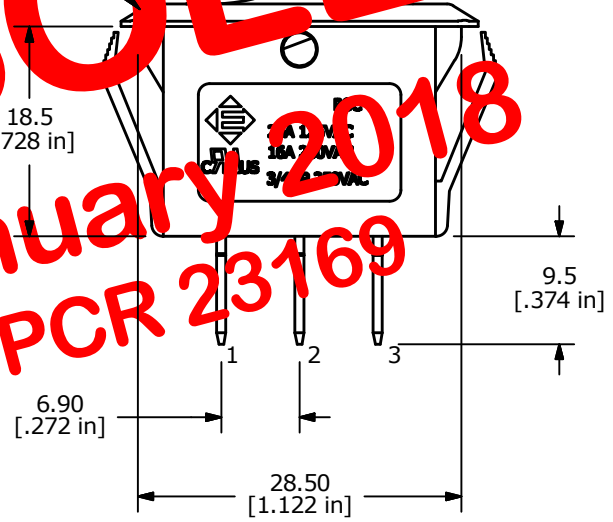
OBSOLETE

January 2018

PCR 23169

NOTES:

1. ALL DIMENSIONS IN MM [INCH]
2. GENERAL TOLERANCE: X.X = ±0.4
X.XX = ±0.25
3. TERM. NOS. FOR REF. ONLY
- ▲ 4. RATING: 20A 125VAC [cURus]
16A 250VAC [cURus]
3/4HP 250VAC [cURus]
16(4)A 250V~ 1E4 T85/55 [ENEC10, VDE]
10(2)A 250V~ 5E4 T85/55 [ENEC10, VDE]
20(8)A 250V~ 1E4 T125/55 [ENEC10, VDE]
5. ELECTRICAL LIFE: 10,000 CYCLES MIN.
6. CONTACT RESISTANCE: 20 mΩ MAX.
7. OPERATING TEMP: -20°C TO 85°C
8. DIELECTRIC STRENGTH: >1,000V AC 1MIN
9. INSULATION RESISTANCE: 100 MΩ @ 500VDC
10. ▲ DENOTES CRITICAL PARAMETER.
11. 2011/65/EU (ROHS) COMPLIANT.



C	22764	UPDATED RATINGS	3/15/17	MJR
B	20286	CORRECT CIRCUIT AND NOTES	11/15/11	BMA
REV	PCR NO	DESCRIPTION	DATE	BY

E-SWITCH®				
TITLE RSC191D1021-137				
SCALE	DATE	DR	DWG	REV
3:2	4/14/2010	BLR	14-RSC441D1000136	C

THE INFORMATION CONTAINED IN THIS DOCUMENT IS PROPRIETARY TO E-SWITCH AND IS NOT TO BE COPIED OR TRANSFERRED